



**SWAGTRON<sup>®</sup>**  
**SWAGGER**  
folding electric scooter

***Cali Drift***



**USER MANUAL**

Thank you for your purchase of the Swagger Cali Drift Scooter by SWAGTRON®!

You're about to take the next step in the evolution of transportation. The Cali Drift takes the power of electricity, the style of a traditional scooter, adds them together, and tops it off with a bit of swag.

To ensure your safety and the safety of others, please read and follow the guidelines in this User Manual carefully and thoroughly before riding.

If you have any questions or concerns, contact us at 1-844-299-0625 for further assistance.

Happy Riding!

-The SWAGTRON® Team

## TABLE OF CONTENTS

### GENERAL INFORMATION

1.1 Important Information . . . . .	.01
1.2 Safety Warnings . . . . .	.02
1.3 Disposal at End-of-Life . . . . .	.03
1.4 Main Specifications . . . . .	.04

### PARTS & FEATURES

2.1 What's in the Box? . . . . .	.05
2.2 Cali Drift Diagram . . . . .	.05

### SETUP & FOLDING

3.1 Setting Up the Scooter . . . . .	.06
3.2 Folding the Scooter . . . . .	.07

### CHARGING

4.1 How to Charge . . . . .	.09
4.2 Indicator Lights . . . . .	.10
4.3 Battery Specifications . . . . .	.10

## **USAGE**

5.1 How to Ride . . . . .	.11
5.2 Practicing Guidelines . . . . .	.12

## **MAINTENANCE**

6.1 Cleaning . . . . .	.13
6.2 Storage . . . . .	.13
6.3 Transportation . . . . .	.14

## **WARRANTY**

## Section1

### GENERAL INFORMATION

Before operating this vehicle, please read all instructions. This manual will guide you through the functions, usage, and proper care of your Swagger Cali Drift. If you have any questions or cannot find the information you need in the manual, please contact your place of purchase or our customer service at 1-844-299-0625. Before contacting customer service, please have your purchase information ready as this may be needed during the call. This information may be recorded below.

**Date of Purchase:** \_\_\_\_\_



**Place of Purchase:** \_\_\_\_\_

**It is important that you follow all safety warnings that appear throughout this manual and exercise good judgment when using your Cali Drift scooter. Consult this manual before attempting to ride.**

#### 1.1 Important Information















Within this manual, “the Cali Drift”, “your Cali Drift”, “your scooter” and “the scooter” refer to the Cali Drift Electric Scooter. The Cali Drift is a personal scooter that uses electrical power. By riding our Cali Drift, the user acknowledges and accepts responsibility for all risks associated with the use of the Cali Drift which may include, but are not limited to, muscle injuries, broken bones, lacerations, serious injury, and possible death, which may be sustained while using the Cali Drift.

To better insure your safety, **ALWAYS USE APPROPRIATE PROTECTIVE GEAR**, read and follow all instructions and warnings in the User Manual.

-  **Appropriate protective gear should include an ASTM F1492, F1447, F1492, Snell B-90A, B-95, N-942, or CPSC approved helmet and other gear including knee and elbow pads.**
-  **Use the Swagger at your own risk. We are not responsible for mishaps due to lack of common sense.**

## 1.2 Safety Warnings

When reading this manual, note these icons:

-  **Notes with this icon MUST be read, understood, and obeyed to prevent injury or damage, etc.**
-  **Notes with this icon include relevant information.**
-  **Properly dispose of all packaging material. Some items may be packed in plastic bags or material and may cause suffocation or injury to pets or children.**
-  **Verify that all parts of the product are accounted for. If any part is missing, call customer service.**
-  **If any ports or cables or surrounding parts are damaged, do not use the product.**
-  **Never insert objects into the product other than the cables etc. as described in this manual.**
-  **If the product is to be used by children, the caregiver should explain the contents of the user manual to the children. The caregiver should provide adequate supervision to ensure that the device is being used as explained in the user manual.**
-  **Use only the parts included in the original packaging or received from the manufacturer.**
-  **Risk of shock. Do not allow water and/or liquids to come in contact with any part of the product.**
-  **Use dry, non-abrasive cloth to remove debris or dust. Do not spray liquids onto the product.**
-  **Never submerge the product or any of the product's components and/or accessories into water.**
-  **Do not ride over stairs.**
-  **Do not allow more than one person on the scooter at a time.**
-  **The product shall only be used as described in this manual.**

**⚠ Cover the product to protect it from dust. Do not store in a dusty environment as, with all electronic devices, this may cause damage over time.**

**⚠ WARNING- RISK OF FIRE - No user serviceable parts**

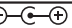
**AVERTISSEMENT - Risque d'incendie - Aucune des pièces ne peut être réparée par l'utilisateur**

### **1.3 Disposal at End-of-Life**

This product must not be disposed of by incineration, landfilling, or mixing with household trash. Improper disposal of the battery contained within this product may result in the battery heating up, rupturing, or igniting which may cause serious injury. The substances contained inside the battery present chemical risks to the environment. The recommended disposal for SWAGTRON® Swagger Cali Drift Scooter at its end-of-life is to dispose of the entire unit at or through an e-waste recycling center, program, or facility. Local regulations and laws pertaining to the recycling and disposal of lithium-ion batteries and/or products containing them will vary according to country, state, and local governments. You must check laws and regulations corresponding to where you live in order to dispose of the battery and/or unit properly. It is the user's responsibility to dispose of their waste equipment properly in accordance with local regulations and laws.

For additional information about where you should drop off your batteries and electrical or electronic waste, please contact your local or regional waste management office, your household waste disposal service, or your point-of-sale.

## 1.4 Main Specifications

Indicators	Items	Parameters
Dimensions	Folded Size	40.7 x 13.5 x 10 in
	Opened Size	34.3 x 13.5 x 41.3 in
Weight	Vehicle Weight	22 lbs / 10 kg
Riding Requirements	Weight Limit	66 - 264.5 lbs / 30 - 120 kg
	Max. Incline	8°
	Suitable Terrain	Hard Surfaces, Flat roads, Inclines under 8°
	Working Temp.	77°F / 25°C
	Storage Temp.	14°F to 122°F / -10°C to 50°C
Power	Motor Power	250W
	Speed	Up to 25 km/h / 15.5 mph, based on terrain
	Range	Up to 9.3 mile / 15 km
Tires	Front Tires	Hard Rubber; Passive
	Rear Tire	Hard Rubber; Motorized
Battery	Type	Rechargeable Lithium-Ion
	Management	Balance, Over-charge, Under-voltage, Overheating automatic shutoff
	Voltage	36V 4.4Ah
	Watt Hours	158.4
Charger	Model	FY-4202000
	Input Voltage	100-240V 50/60Hz 2.5A
	Output Voltage	42V 1.5A 
	Charging Time	2.5~3.5 hours
	Manufactured By	Shenzhen Fuyuandian Power Co.,Ltd 8F, Building A9, TianRui Industrial Park, 1st Fuyuan Road, Xinhe, Fuyong, Baoan 518103



## Section 2

### PARTS & FEATURES

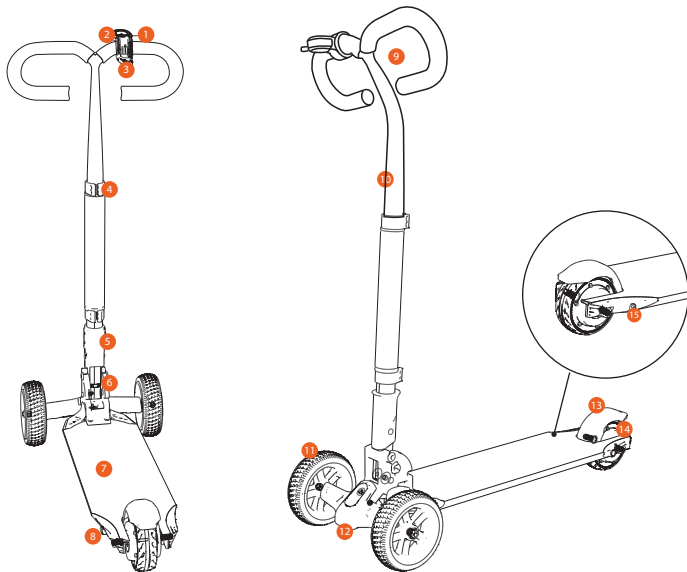
Please read the user manual in its entirety before using the Cali Drift so that you may fully understand its parts and functions and be able to operate it safely.

#### 2.1 What's in the Box?

- 1 x Swagger Cali Drift Electric Scooter
- 1 x Allen Key
- 1 x Charger
- 1 x User Manual

#### 2.2 Cali Drift Diagram

- |                  |                          |
|------------------|--------------------------|
| 1. Throttle      | 9. Handle                |
| 2. Indicator     | 10. Stem                 |
| 3. Handbrake     | 11. Front Wheels         |
| 4. Stem Lock     | 12. Trucks               |
| 5. Latch Grip    | 13. Footbrake            |
| 6. Folding Latch | 14. Rear Motorized Wheel |
| 7. Deck          | 15. Charging Port        |
| 8. Power Switch  |                          |



## Section 3

### SETUP & FOLDING

Ensure the scooter is off before working with any of its parts. The scooter comes pre-assembled within the package and features a stem which can be adjusted to accommodate different heights. For your convenience, the scooter can also be folded. All parts and tools are included.

- ⚠ **Before folding, unfolding, or making any adjustments to the scooter, bring it to a complete stop and turn it off. Before riding the scooter again, lean the scooter off the kickstand and push the kickstand up.**

#### 3.1 Setting Up the Scooter

**Step 1.** Use the included Allen Key to loosen the Stem Lock.

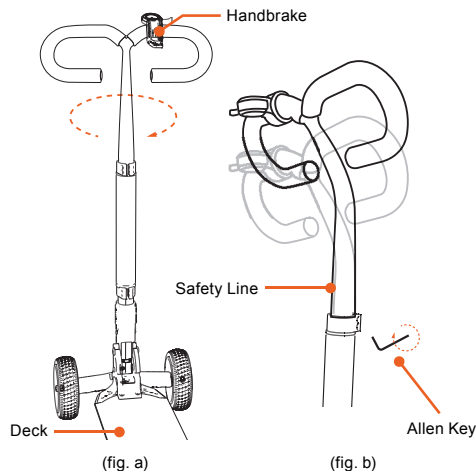
**Step 2.** Grasp the Handle or Stem and turn it so that the Handbrake faces the deck. (fig. a)

**Step 3.** Grasp the Handle and pull or push it up or down to raise or lower it. (fig. b)

⚠ **DO NOT raise the Handle past the Stem's safety line. Ensure the last line meets the Stem Lock.**

**Step 4.** Use the included Allen Key to tighten the Stem Lock and secure the Stem in place.

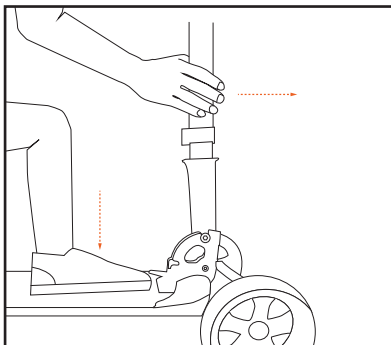
⚠ **Raising the Stem past the safety line may result in breakage or damage to the Stem or the scooter.**



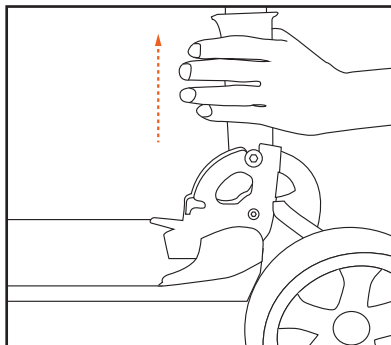
## 3.2 Folding the Scooter

### Folding

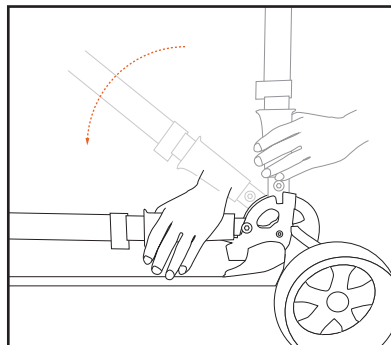
- Step 1.** Place one foot on the Deck to keep the scooter steady then grasp the Stem with one hand. Push and hold the Stem slightly away from the deck to ease the tension on the latch. (fig. 1a)
- Step 2.** With the other hand, grasp the Latch Grip and pull it up towards the Throttle. (fig. 1b)
- Step 3.** Fold the Stem down so that it's parallel with the Deck and ensure the Latch Grip slides down so that the latch itself is secure. If transporting the scooter, see Section 6 for more information. (fig. 1c)



(fig. 1a)



(fig. 1b)



(fig. 1c)

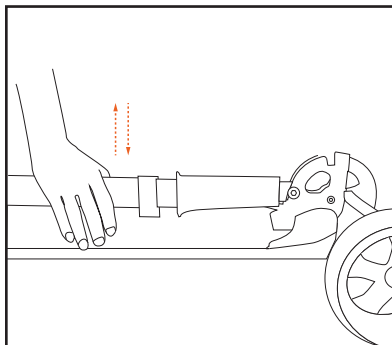
## Unfolding

**Step 1.** With one hand, grasp the Stem firmly. Move the Stem slightly up or down to ease the tension on the latch. (fig. 2a)

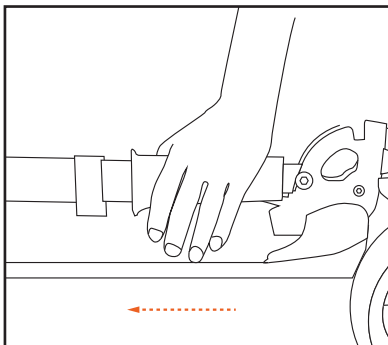
**Step 2.** With the other hand, grasp the Latch Grip and pull it up towards the Throttle. (fig. 2b)

**Step 3.** Pull the Stem up so that it's perpendicular to the Deck and ensure the Latch Grip slides down so that the latch itself is secure. (fig. 2c) If transporting the scooter, see Section 6.3 for more information.

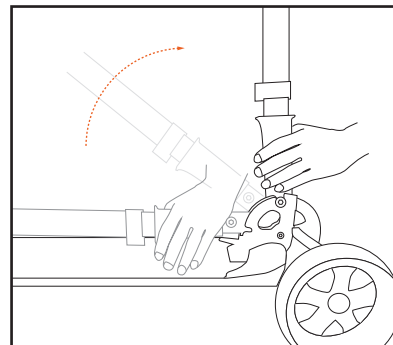
**⚠ Before moving, lifting, or otherwise transporting the scooter, ensure it is turned off.**



(fig. 2a)



(fig. 2b)



(fig. 2c)

## Section 4

# CHARGING

**⚠ Charge the scooter before using it.**

### 4.1 How to Charge

**Step 1.** Ensure the scooter is turned off before charging and remains off while charging.

**Step 2.** Locate the Charging Port along the scooter's deck and remove the cap if needed.

**Step 3.** Use the Charger and the Charging Port to connect the scooter to an outlet.

**Step 4.** While the scooter is charging, the adapter indicator light will turn red.

**⚠ If charging for the first time, charge the scooter for at least 3 hours before using it.**

**Step 5.** When the scooter is fully recharged, the adapter indicator light will turn green. You may then disconnect the scooter from the charger.

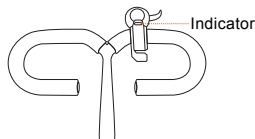
**⚠ DO NOT, under any circumstances, use the scooter while it is connected to the charger.**

**⚠ Do not charge longer than necessary. Standard charging time is approx. 2.5 hours. Charging longer than this may affect battery life and/or performance.**

**⚠ To maximize the battery life, charge it once every other month or every couple days after riding.**

## 4.2 Indicator Lights

The Indicator is located on the Handle near the Throttle.



Color	Status
Green	Battery is at full charge
Red (Steady)	Battery is lower than 20%
Red (flashing)	Battery is lower than 5%





## 4.3 Battery Specifications

Indicators	Items	Parameters
Battery	Type	Rechargeable Lithium-Ion
	Charging Time	~2.5 hours
	Voltage	36V
	Capacity	4.4 Ah
	Weight	3.44 lbs / 1.56kg
	Dimensions	15.8 x 3.2 x 1 in / 402 x 82 x 26 mm
	Operating Temp.	14°F to 104°F / -10°C to 40°C
	Charging Temp.	41°F to 113°F / 5°C to 45°C
	Storage Temp.	-4°F to 122°F / -20°C to 50°C
	Watt Hours	158.4
Management	Balance, Over-charge, Under-voltage, Overheating automatic shutoff	

## Section 5

### USAGE

Read the following information before attempting to ride your Cali Drift.

-  **An ASTM F1492-approved helmet as well as other protective gear must be worn at all times.**
-  **The Cali Drift supports up to 264.5 lbs / 120 kg**
-  **Only operate the Cali Drift where permitted. Local laws may restrict where you may ride.**
-  **The Cali Drift contains a motor and may be classified as a motor vehicle under local laws in your area. It is your responsibility to abide by any local laws restricting how or where you may ride.**

#### 5.1 How to Ride

Assuming you have equipped suitable protective gear and that the Cali Drift has been placed on a level surface and is well charged follow the steps below.


-  **For your safety, please carefully read this entire section before attempting to ride.**

- Step 1.** Carefully step on with one foot and stand upright but relaxed. Grab the Handle.
- Step 2.** Keep one foot on the ground and kick off to begin accelerating manually. Use the Handle to steer.
- Step 3.** Once the Cali Drift reaches at least 3 km/h (1-2 mph), press the throttle to start powered acceleration if desired.
- Step 4.** To stop, release the throttle and use the Handbrake, Footbrake, or both to gradually coast to a stop then step off the scooter one foot at a time. Be extra cautious when dismounting for the first time.
- Step 5.** To turn the scooter off, remain at a complete stop for a few seconds and use the Power Switch.

## 5.2 Practicing Guidelines


Practice until you are comfortable with using all of the scooter's functions. See the following tips below.

- Avoid wearing anything that can drape over or get caught into/under the wheels. Wear closed-toe, flat shoes to maintain flexibility and stability.
- Practice until you can easily get on, move forward, turn, stop, and dismount with ease.
- The scooter is designed to handle inclines up to 8°. Drifting over inclines is not recommended.
- Make sure the pavement is even. Do not operate on a slope until you are experienced
- The Cali Drift is designed for relatively smooth, flat terrain.
- Until you are comfortable using the scooter, avoid operating in places with pedestrians or obstacles.

 **The Cali Drift weighs approximately 22 lbs / 10 kg. If you are unsure of your ability to lift it with one hand, please lift it with both hands, have second person help, or fold then lift the scooter to roll it on its front wheels.**


## Section 6

### MAINTENANCE

 **Do not perform any maintenance when the power is on, or the battery is charging. Do not let water or liquids get into the Cali Drift as this will cause permanent damage to the electronic components.**

**After each ride, especially if you have traveled a long distance, inspect your scooter.**

- Inspect the brakes to make sure that both are working properly.
- Make sure all screws and bolts are taut and properly fastened to prevent injury and unnecessary wear and tear.

 **Tire wear and tear is normal. The rate at which the tires deteriorate depends on riding style i.e. casual riding may yield minimal wear while performance and/or heavy drifting may yield excessive wear. To purchase tire replacements and/or for questions about your scooter's parts, please visit our website.**



## 6.1 Cleaning

The Cali Drift may need cleaning after riding for extended periods of time.

- ▲ Completely power off the scooter before cleaning.**
- ▲ Use dry, non-abrasive cloth to gently remove debris or dust.**
- ▲ The Cali Drift may not come in contact with it in any kind of liquid.**
- ▲ Never use alcohol or ammonia-based cleaning solutions.**
- ▲ Never spray liquid directly onto any part of the scooter.**

## 6.2 Storage

To store the Cali Drift, see the following information below.

- ▲ Before storing, fully charge the Cali Drift to prevent battery over-discharge due to non-use.**
- ▲ If storing for more than one month, discharge and recharge the battery every three months.**
- ▲ Cover the Cali Drift to protect it from dust. Do not store in a dusty environment as, with all electronic devices, this may cause damage over time.**
- ▲ Do not store in an unheated garage, shed, or other location with extreme temperature fluctuations.**


### 6.3 Transportation

The Cali Drift was designed for quick and easy transportation. Before moving, lifting, or otherwise transporting the device, turn it off. Fold the scooter and follow the instructions below.

**Step 1.** Fold the scooter. See Section 3.2 for instructions.

**Step 2.** Grasp the Handle and lift the scooter.

**Step 3.** Pull it along as you move. The Front Wheels will be used as you move.

 **When lifting the entire scooter, please note that the Cali Drift weighs approximately 22 lbs. If you are unsure of your ability to lift this weight, please use both hands or have a second person help.**

## Section 7

### WARRANTY

Your SWAGTRON® Swagger Cali Drift Electric Scooter (“Product”) includes a One Year Limited Hardware Warranty (“Warranty”). The Warranty covers product defects in materials and workmanship under normal use. This Warranty is limited to residents of the United States and Canada only and is available only to original purchasers. This Warranty gives you specific legal rights and you may also have other rights which vary from state to state.

This Warranty starts on the date of your purchase and lasts for one year (the “Warranty Period”). The Warranty Period is not extended if the Product is repaired or replaced. We may change the availability of this limited warranty at our discretion, but any changes will not be retroactive.

Warranty services are provided by SWAGTRON®. If a hardware defect arises and a valid claim is received within the Warranty Period, at its option and to the extent permitted by law, SWAGTRON® will: (1) repair the hardware defect by using new or refurbished parts that are equivalent to new in performance and reliability; or (2) exchange the Product with a product that is new or refurbished which is substantially equivalent to the original product. This Warranty is for one replacement only of like-items and does not cover items out of production if the product is no longer made or stocked. This Warranty is not assignable or transferable. The original purchaser may call SWAGTRON®’s toll-free number at 1-844-299-0625 for service requests.

When a product or part is exchanged, any replacement item becomes your property and the replaced item becomes SWAGTRON®’s property. This warranty only covers technical hardware defectiveness during the warranty period and under normal use conditions. SWAGTRON® does not warrant uninterrupted or error-free operation of this Product.

This Warranty does not cover any damage due to: (a) transportation; (b) storage; (c) improper use; (d) failure to follow the product instructions or to perform any preventive maintenance; (e) modifications; (f) unauthorized repair; (g) normal wear and tear; or (h) external causes such as accidents, abuse, or other actions or events beyond our reasonable control.

**Important:** Do not disassemble the Product. Disassembling the Product will void this Warranty. Only SWAGTRON® or a party expressly authorized by SWAGTRON® should perform service on this Product.

**DISCLAIMER OF WARRANTY:** THE REMEDIES DESCRIBED ABOVE ARE YOUR SOLE AND EXCLUSIVE REMEDIES AND OUR ENTIRE LIABILITY FOR ANY BREACH OF THIS LIMITED WARRANTY. OUR LIABILITY SHALL UNDER NO CIRCUMSTANCES EXCEED THE ACTUAL AMOUNT PAID BY YOU FOR THE DEFECTIVE PRODUCT, NOR SHALL WE UNDER ANY CIRCUMSTANCES BE LIABLE FOR ANY CONSEQUENTIAL, INCIDENTAL, SPECIAL OR PUNITIVE DAMAGES OR LOSSES, WHETHER DIRECT OR INDIRECT.

SOME STATES DO NOT ALLOW THE EXCLUSION OR LIMITATION OF INCIDENTAL OR CONSEQUENTIAL DAMAGES, SO THE ABOVE LIMITATION OR EXCLUSION MAY NOT APPLY TO YOU.

THE DURATION AND REMEDIES OF ALL IMPLIED WARRANTIES, INCLUDING WITHOUT LIMITATION THE WARRANTIES OF MERCHANTABILITY AND FITNESS FOR A PARTICULAR PURPOSE ARE LIMITED TO THE DURATION OF THIS EXPRESS LIMITED WARRANTY.

**SWAGTRON®**

COPYRIGHT © 2018 SWAGTRON. ALL RIGHTS RESERVED.