

SWAGTRON®

USER MANUAL

Ver. 2.0 9/4/20

In order to continue serving our customers and providing the best products, our product information including our user manuals may receive updates from time to time. Please check our website for the latest user manuals and product materials.



K7

3-in-1 Balance Bike & Tricycle

PROTECT YOUR DOME

HELMETS SAVE LIVES

Helmets can reduce 85% of critical head injuries.

Elbow pads can reduce 82% of elbow injuries.

Knee pads can reduce 32% of knee injuries.

From <https://www.ncbi.nlm.nih.gov/pubmed/2716781>

Always wear proper protective gear when riding. This includes knee and elbow pads and an age-appropriate helmet.

- Helmets should fit comfortably and snugly, covering the forehead but not hindering your field of vision.
- The helmet should have a chin strap and buckle to keep the helmet in place.
- The helmet should be made out of a hard, protective outer shell and an impact-absorbing inner layer at least 1/2-inch thick.
- The helmet should be approved by the U.S. Consumer Product Safety Commission (CPSC), the Snell Memorial Foundation, or the American Society for Testing and Materials (ASTM).



TABLE OF CONTENTS

HELMETS SAVE LIVES	3
BOX CONTENTS	5
PRODUCT PARTS	6
MAIN ASSEMBLY.....	7
INSTALLING THE PEDALS	8
HANDLEBAR ADJUSTMENT.....	9
SEAT ADJUSTMENT.....	10
SWITCHING MODES (BALANCE BIKE & TRICYCLE)	11
USAGE INSTRUCTIONS	12
PRACTICING GUIDELINES.....	12
SAFETY INFORMATION & WARNINGS.....	13
SPECIFICATIONS.....	14
90-DAY LIMITED HARDWARE WARRANTY	15

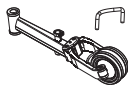
Thank you for purchasing the K7 3-in-1 Balance Bike & Tricycle from SWAGTRON®!

Before assembling this product and/or giving it to a child, please read all instructions. This guide will walk you through the functions, usage, and proper care of the SWAGTRON® K7. If you have any questions or cannot find the information you need in the guide, please contact your place of purchase or our customer service at 1-844-299-0625.

BOX CONTENTS



Head x 1



Frame with Rear Wheels x 1



Pedals Section x 1



Front Wheel & Fork x 1



Seat x 1



Hex Key x 1



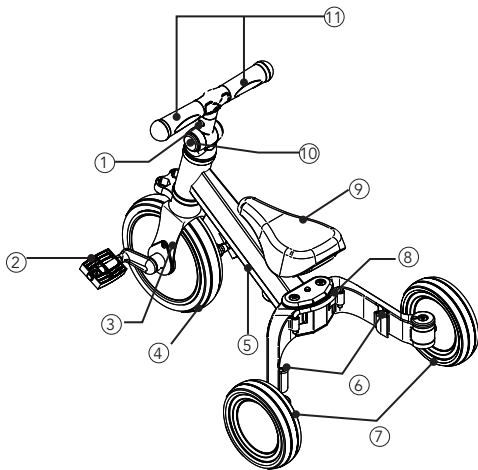
Backup Screw & Nut x 1




Quick Start Guide x 1

PRODUCT PARTS

- ① Head Fixture Screw
- ② Pedal
- ③ Front Fork
- ④ Front Wheel
- ⑤ Frame
- ⑥ Bike Locking Fixture
- ⑦ Rear Wheels
- ⑧ Tricycle Locking Fixture
- ⑨ Seat
- ⑩ Big Button
- ⑪ Handlebar Grip(s)



MAIN ASSEMBLY

 Before starting assembly, collect all necessary parts and tools. The head fixture screw is pre-installed on the head tube (Fig. 3).

If needed, ask someone for help during initial assembly.

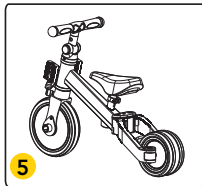
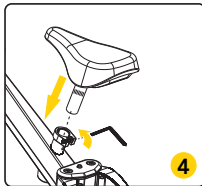
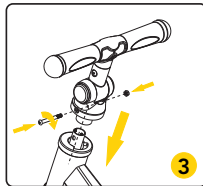
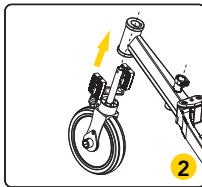
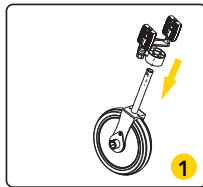
Step 1. Take out the pedals section and the front wheel with fork. Slide the pedals section over the front fork (Fig. 1).

Step 2. Take out the frame with head tube. Slide the head tube over the front fork tube (Fig. 2).

Step 3. Take out the handlebar section and use the included hex key to release the pre-installed fixture screw. Adjust the head to make handlebars aligned with the frame and front wheel.

Step 4. Align the holes on the front fork with the screw holes on head tube and insert the head section onto the front fork. Then insert the fixture screw back and tighten the head onto fork (Fig. 3).

Step 5. Insert the seat onto the frame and adjust the seat height. Tighten the screw to fix the seat in place with the included hex key (Fig. 4).




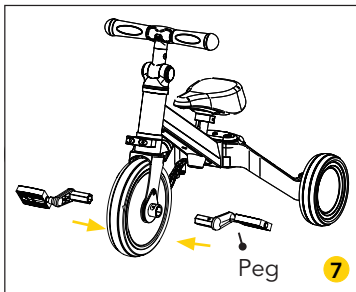
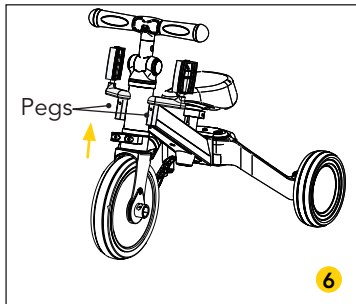
INSTALLING THE PEDALS

The pedals are collected on the pedals section for **balance mode** by default. When you want to use the **pedaled tricycle mode**, install them on both sides of the front wheel.

Step 1. Push the peg on one pedal while removing the pedal from the pedals holder. Repeat steps to remove the other pedal (Fig. **6**).

Step 2. Align the pegs with the holes on both sides of front wheel, then insert the pedals into the installing part on front fork. The pedals will “click” into place (Fig. **7**).

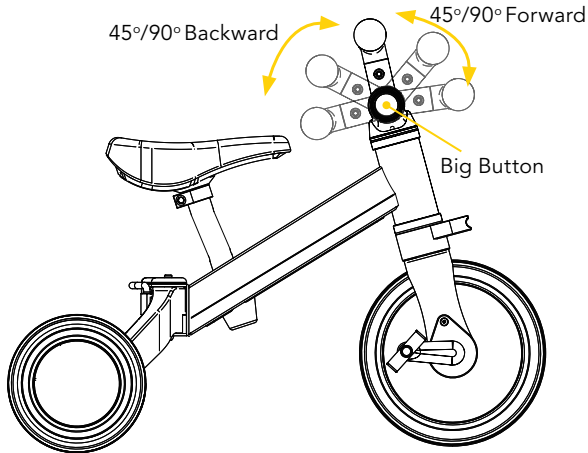
 The pedals only function while in **Tricycle** mode. Do not use pedals while in **Balance Bike** mode.



HANDLEBAR ADJUSTMENT


The handlebar can be adjusted into five modes (Standard, 45°/90° Backward or Forward) as desire.

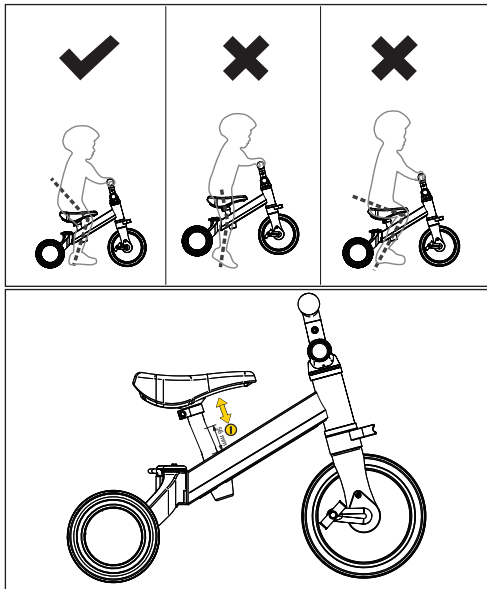
- Step 1.** Press the big button down.
- Step 2.** Keep the big button pressed while adjusting handlebar angle. When the handlebar is adjusted, it will "click" into place.



SEAT ADJUSTMENT

For better pedaling, safety, and overall comfort, positioning the seat at the right height is key. Refer to the following information to adjust your child's bike seat.

- Use the included hex key to loosen the screw of the clamp under the seat.
 - Pull the seat up or push it down to adjust height.
 - Make sure the seat post is fully inserted into the frame.
 - Tighten the screw to secure the seat.
-  Make sure the seat stem is inserted at least 56mm into the frame. Do not raise the seat higher than the safety mark on the post.



SWITCHING MODES (BALANCE BIKE & TRICYCLE)

ⓘ The K7 can be converted into three different modes (as needed) as your child grows in skill and confidence. Recommended ages* for each K7 mode is as follows:

10+ months: Balance trike (no pedals)

12-18 months: Tricycle (with pedals)

18+ months: Balance bike (no pedals)

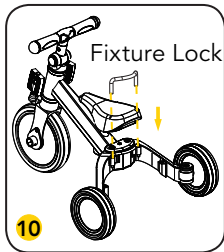
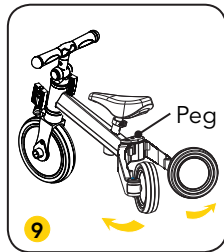
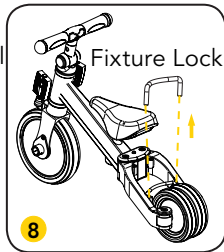
* These are suggested guidelines. Each child's growth and development is different.

⚠ Because of their placement, pedals should not be used while in balance bike mode.


Step 1. Remove the fixture lock from the outside holes of frame (Fig. 8).

Step 2. Press the peg under the seat while opening the two rear wheels (Fig. 9).

Step 3. Insert the fixture lock into the inside holes of frame after the two rear wheels have been opened (Fig. 10).




USAGE INSTRUCTIONS

-  • Age-appropriate protective gear, including helmet, elbow pads and knee pads, must be worn at all times.
- The bike supports up to 55 lb. (25 kg).

The K7 should always be used with adult supervision. Always make sure your child wears suitable protective gear while riding the K7. Always ride the bike on flat, level and undamaged surfaces. Carefully read all safety information and warnings before allowing your child to use the bike. Make your child aware of the following riding requirements:

- Sit on the seat and hold both handles firmly.
- Push off the ground with both feet, as if walking, to move forward.
- In tricycle mode, you can use the pedals to add momentum, as you would a bicycle. Do not use pedals while in balance bike mode.
- To stop, simply use your feet to slow down until you come to a complete stop.

PRACTICING GUIDELINES

 Children should practice using the K7 under your strict supervision, until they are comfortable. Make sure your child takes the following precautions while riding:

- Wear casual clothing and flat shoes to maintain flexibility and stability.
- Make sure the riding area is obstruction-free, level and even. Do not ride on steep slopes.
- If riding on uneven terrain, slow down. The bike is designed for relatively smooth, flat terrain.
- Watch for pedestrians and obstacles when using the bike.

SAFETY INFORMATION & WARNINGS

The SWAGTRON® K7 3-in-1 Kick Scooter & Balance Bike is a self-propelled, balancing “ride-on” toy, designed for children ages 10 months and older. By operating the K7, and/or allowing your child to operate it, you acknowledge and accept responsibility for all risks associated with the use of the product. These risks may include, but are not limited to, muscle injuries, broken bones, lacerations, serious injury, and possible death.

- Kids should be supervised at all times by a parent or guardian while riding the K7.
- Age-appropriate protective gear, including helmet, elbow pads and knee pads, must be worn at all times.
- The K7 is designed for a single rider only. It is not intended or equipped for road use, off-road use, or off-road with any motorized device.
- This bike has no brake.
- Check that all screws and fittings are secure before giving the bike to a child. Screws and fixtures may loosen over time. Please check and tighten periodically.
- Keep fingers away from moving parts to avoid pinching and entrapment.
- Never ride at night or in low-light areas. Always obey all traffic and pedestrian regulations and give right of way to pedestrians.
- Riding on wet pavement or surfaces is not recommended.
- Do not modify the bike or change the bike in any way not outlined in these instructions.
- Because of their placement, pedals should not be used while the K7 is in balance bike mode.

SPECIFICATIONS

Item	Parameters
Material	Iron, ABS, PU, EVA
Dimensions	Tricycle mode: 23.2 x 17.7 x 18.5 in. (59 x 45 x 47 cm) Bicycle mode: 25.5 x 10.2 x 18.5 in. (65 x 26 x 48 cm)
Seat Height	11~13 in. / 28~33 cm
Handle Height	14.6 /16.5 / 18.5 in. (37/42/47 cm)
Handlebar Adjust	45°/90° Backward or Forward
Wheel Sizes	Front Wheel: 8.3 in. (21cm) Rear Wheel: 5.9 in. (15 cm)
Product Weight	6.61 lb. / 3 kg
Maximum Load	55 lb. / 25 kg
Ages	10 mos. ~ 5 years
Certifications	ASTM F963, EN71

90-DAY LIMITED HARDWARE WARRANTY

Your SWAGTRON® K7 3-in-1 Kick Scooter & Balance Bike ("Product") includes a 90-Day Limited Hardware Warranty ("Warranty"). The Warranty covers product defects in materials and workmanship under normal use. This Warranty is limited to residents of the United States (excluding Hawaii, Alaska and U.S. Territories) and Canada only and is available only to original purchasers. This Warranty gives you specific legal rights and you may also have other rights which vary from state to state.

This Warranty starts on the date of your purchase and lasts for ninety (90) days (the "Warranty Period"). The Warranty Period is not extended if the Product is repaired or replaced. We may change the availability of this limited warranty at our discretion, but any changes will not be retroactive.

Warranty services are provided by SWAGTRON®. If a hardware defect arises and a valid claim is received within the Warranty Period, at its option and to the extent permitted by law, SWAGTRON® will: (1) repair the hardware defect by using new or refurbished parts that are equivalent to new in performance and reliability; or (2) exchange the Product with a product that is new or refurbished which is substantially equivalent to the original product. This Warranty is for one replacement only of like-items and does not cover items out of production if the product is no longer made or stocked. This Warranty is not assignable or transferable.

The original purchaser may call SWAGTRON's toll-free number at 1-844-299-0625 for service request.

When a product or part is exchanged, any replacement item becomes your property and the replaced item becomes SWAGTRON®'s property. This warranty only covers technical hardware defectiveness during the warranty period and under normal use conditions. SWAGTRON® does not warrant uninterrupted or error-free operation of this Product.

Return shipping shall only be provided for Products dead on arrival ("DOA") within 30 days of purchase only. All other returns/repairs shall require payment of shipping cost at discounted rate to be determined as follows:

SWAGTRON® K-Line shall be Eight Dollars (\$8)**

**shipping prices are subject to change without further notice.

This Warranty does not cover any damage due to: (a) transportation; (b) storage; (c) improper use; (d) failure to follow the product instructions or to perform any preventive maintenance; (e) modifications; (f) unauthorized repair; (g) normal wear and tear (including but not limited to wearables and other consumable parts such as tires); or (h) external causes such as accidents, abuse, or other actions or events beyond our reasonable control.

Important: Do not disassemble the Product. Disassembling the Product will void this Warranty. Only SWAGTRON® or a party expressly authorized by SWAGTRON® should perform service on this Product.

DISCLAIMER OF WARRANTY: THE REMEDIES DESCRIBED ABOVE ARE YOUR SOLE AND EXCLUSIVE REMEDIES AND OUR ENTIRE LIABILITY FOR ANY BREACH OF THIS LIMITED WARRANTY. OUR LIABILITY SHALL UNDER NO CIRCUMSTANCES EXCEED THE ACTUAL AMOUNT PAID BY YOU FOR THE DEFECTIVE PRODUCT, NOR SHALL WE UNDER ANY CIRCUMSTANCES BE LIABLE FOR ANY CONSEQUENTIAL, INCIDENTAL, SPECIAL OR PUNITIVE DAMAGES OR LOSSES, WHETHER DIRECT OR INDIRECT.

SOME STATES DO NOT ALLOW THE EXCLUSION OR LIMITATION OF INCIDENTAL OR CONSEQUENTIAL DAMAGES, SO THE ABOVE LIMITATION OR EXCLUSION MAY NOT APPLY TO YOU.

THE DURATION AND REMEDIES OF ALL IMPLIED WARRANTIES, INCLUDING WITHOUT LIMITATION THE WARRANTIES OF MERCHANTABILITY AND FITNESS FOR A PARTICULAR PURPOSE ARE LIMITED TO THE DURATION OF THIS EXPRESS LIMITED WARRANTY.

SWAGTRON®

COPYRIGHT © 2020 SWAGTRON. ALL RIGHTS RESERVED.